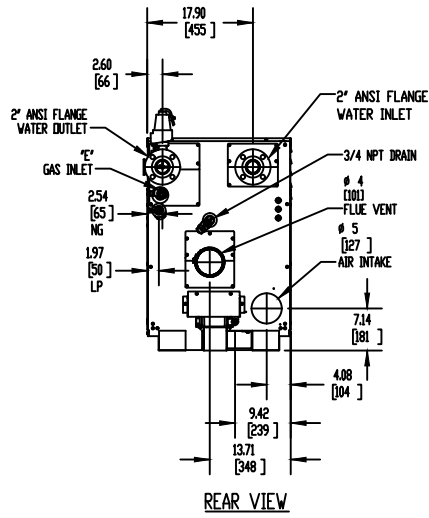
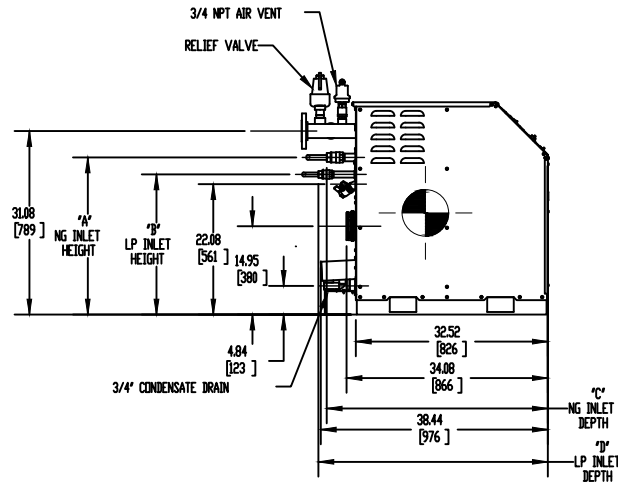


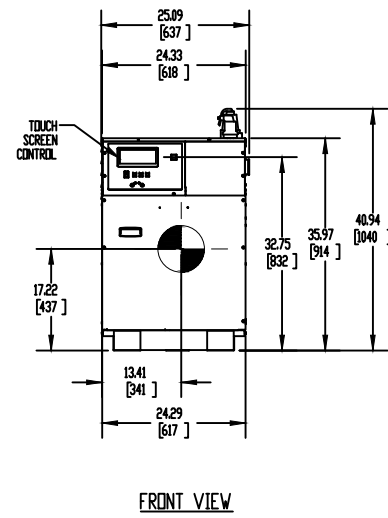
TOP VIEW



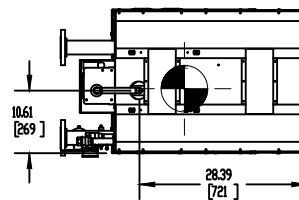
REAR VIEW



LEFT SIDE VIEW



FRONT VIEW



BOTTOM VIEW

GAS OPTION	"A"	"B"	"C"	"D"	"E"
NG	27.17	-	37.83	-	1 NPT
LP	-	23.36	-	38.86	3/4 NPT

NOTES

1. SYMBOL INDICATES CENTER OF GRAVITY.
2. DIMENSIONS ARE NOMINAL AND SUBJECT TO MANUFACTURING VARIATION AND SHOULD NOT BE USED FOR 'ROUGHING IN'.
3. ALL DIMENSIONS ARE INCHES (mm).